

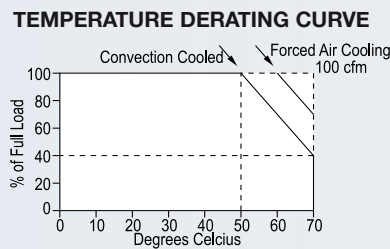
32000 Series

Open Frame AC/DC Regulated Linear Power Supplies



GENERAL SPECIFICATIONS

A.C. Input	100/120/220/240 V AC +10%, -12%, 47 to 60 Hz
D.C. Output	See Voltage/Current Rating Chart. Adjustment range $\pm 5\%$ minimum.
Line Regulation	$\pm 0.05\%$ for a 10% line change.
Load Regulation	$\pm 0.05\%$ for a 50% load change.
Output Ripple	2 V to 15 V units: 5.0 mV PK-PK maximum 20 V to 28 V units: 0.02% PK-PK maximum
Transient Response	50 μ s for a 50% load change
Short Circuit and Overload Protection	Automatic current limit/foldback
Overvoltage Protection	Built-in on all 5 V outputs. Set at 6.2 V ± 0.4 V Other models use optional overvoltage protection. See Option 3 overleaf
Remote Sensing	Provided on most models, open sense load protection built in.
Stability	$\pm 0.3\%$ for 24 hour period after 1 hour warm-up
Temperature Rating	Standard Range: 0°C to +50°C full-rated, derated linearly to 40% at 70°C Extended Range: -40°C to +50°C full-rated, derated linearly to 40% at 70°C
Temperature Coefficient	$\pm 0.03\%/^{\circ}\text{C}$ maximum
Efficiency (typical)	5V unit: 45%; 12 V and 15 V units: 55%; 24 V units: 60%
Isolation	Input to ground: 3750 V AC min. Input to output(s): 3750 V AC min. Output to ground: 500 V AC min. Leakage current (live to ground): 5 μ A max.
RoHS Compliant	Yes



These high quality linear regulated power supplies provide outstanding value and are designed for ease of application and long trouble-free life. They will accommodate AC inputs from 100 V to 240 V and provide a wide range of DC outputs with very low ripple.

All 32000 series power supplies are built around industry-standard case sizes to simplify installation and a 3.75 kV isolation safety transformer. For additional safety the transformer primary is protected from thermal overloads by a thermal fuse. This fuse will blow if a transformer temperature of 130°C is exceeded. Every unit incorporates a safety earth tag.

All models are fitted with automatic foldback current limiting. An overvoltage protection (OVP) circuit protects sensitive loads against excessive voltage such as in TTL logic. OVP is a standard feature of all 5 V output units and an option on all other units.

The remote sensing feature, included in almost all 32000 series power supplies, may be used to compensate the voltage drop across the load lines. All dual-output power supplies feature a unique anti-latch circuit to minimise common mode latch up.

SINGLE OUTPUT MODELS

Model	Output Voltage Volts	Output Current Amps	Case
32005AR	5	3.0	A
32005BR	5	6.0	B
32005CR	5	9.0	C
32005DR	5	12.0	D
32012AR	12 to 15	1.7	A
32012BR	12 to 15	3.4	B
32012CR	12 to 15	5.1	C
32012DR	12 to 15	6.8	D
32012ER	12 to 15	10.2	E
32024AR	24 to 28	1.2	A
32024BR	24 to 28	2.4	B
32024CR	24 to 28	3.6	C
32024DR	24 to 28	4.8	D
32024ER	24 to 28	7.2	E
32024ER/10	24 to 28	10.0	E
32048AR*	48	0.5	A
32150AR	120 to 200	0.150**	A

* No remote sensing

** Output current from 180 to 200V falls linearly from 150mA to 125mA

DUAL OUTPUT MODELS

Model	Output 1		Output 2		Case
	Voltage Volts	Current Amps	Voltage Volt	Current Amps	
32212AR	12 to 15	1.0	-12 to -15	1.0	AA
32212BR	12 to 15	1.7	-12 to -15	1.7	BB
32212CR	12 to 15	3.4	-12 to -15	3.4	CC

TRIPLE OUTPUT MODELS

Model	Output 1		Output 2		Output 3		Case
	Voltage Volts	Current Amps	Voltage Volts	Current Amps	Voltage Volts	Current Amps	
32305AR	5*	2.0	9 to 15*	0.4	-9 to -15*	0.4	AA
32305BR	5	3.0	12 to 15	1.0	-12 to -15	1.0	AAA
32305DR	5	6.0	12 to 15	1.7	-12 to -15	1.7	BBB
32305ER	5	8.0	12 to 15	1.7	-12 to -15	1.7	BBB
32305FR	5	12.0	12 to 15	1.7	-12 to -15	1.7	DBB

OVP SELECTION CHART

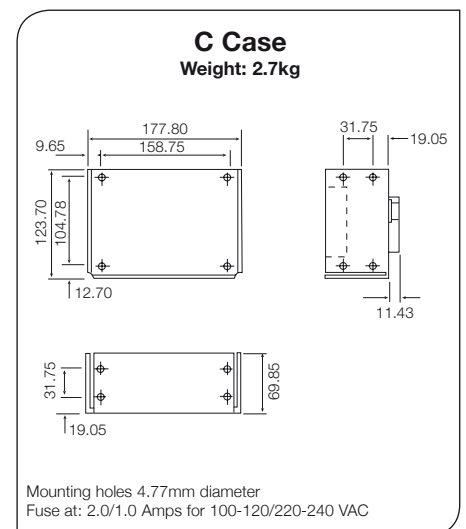
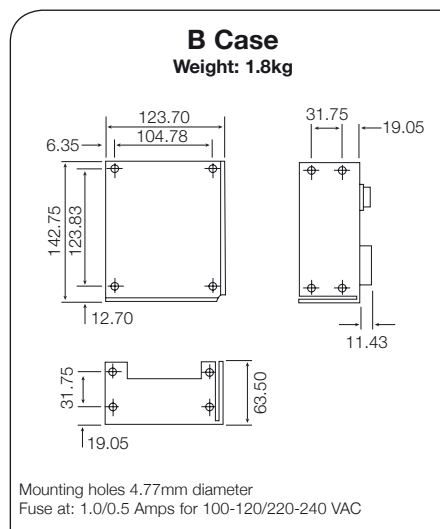
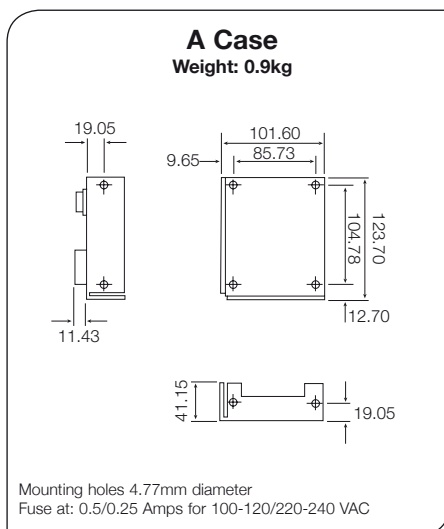
	Case	OVP Model Required
Single Output	A/B/C/D	32901AR
	E	32901BR
Dual Output	AA/BB/CC	32901AR, protects both outputs
	E	32901BR, protects both outputs
Triple Output	AA/AAA/D	32901AR, protects dual outputs
	BBB/131	OVP built-in on 5 V outputs

OPTIONS

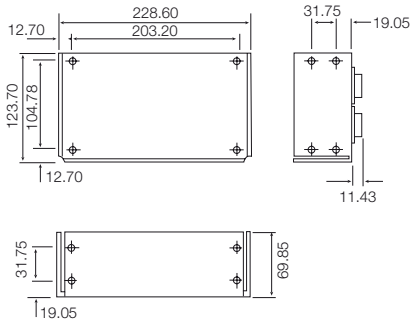
- 1 Tropicalisation – suffix code 'T'
- 2 Low temperature operation -40°C to +50°C – suffix code 'LT'
- 3 Overvoltage Protection Modules – These optional Overvoltage Protection Modules are available for use with any power supply NOT supplied with built-in OVP. Each is adjustable from 6.4V to 34V and should be used when maximum load protection is of prime importance. Response time is 1 ms. Mounting holes are provided on the chassis for these modules, which mount within the specified outline dimensions of each power supply.

32000 SERIES - GENERAL DIMENSIONS

All dimensions are in mm

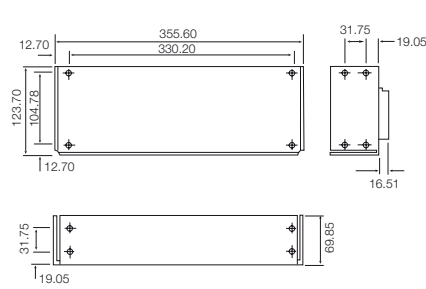


D Case
Weight: 3.4kg



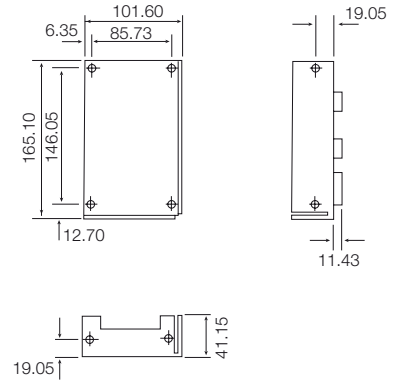
Mounting holes 4.77mm diameter
Fuse at: 2.0/1.0 Amps for 100-120/220-240 VAC

E Case
Weight: 4.5kg



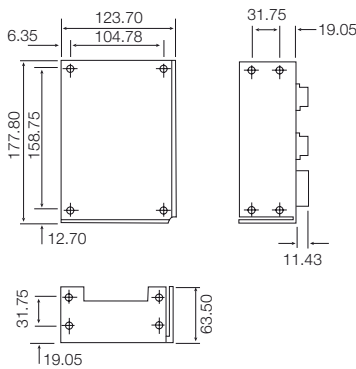
Mounting holes 4.77mm diameter
Fuse at: 3.0/1.5 Amps for 100-120/220-240 VAC

AA Case
Weight: 0.9kg



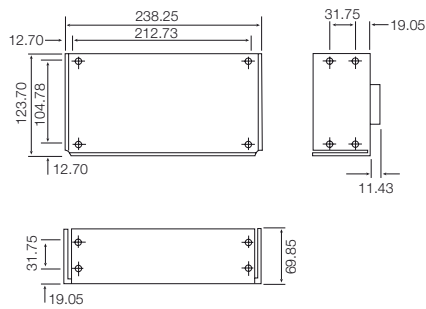
Mounting holes 4.77mm diameter
Fuse at: 0.5/0.25 Amps for 100-120/220-240 VAC

BB Case
Weight: 1.8kg



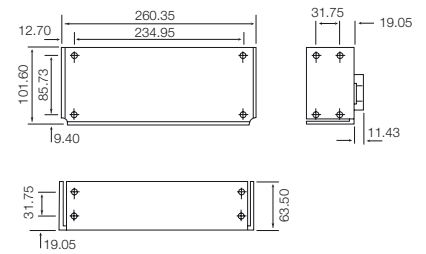
Mounting holes 4.77mm diameter
Fuse at: 2.0/1.0 Amps for 100-120/220-240 VAC

CC Case
Weight: 3.2kg



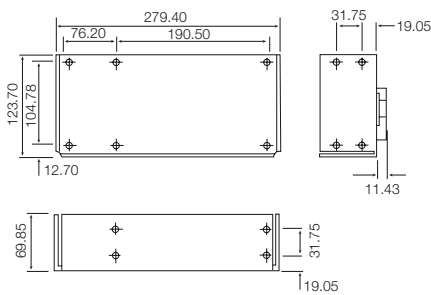
Mounting holes 4.77mm diameter
Fuse at: 2.0/1.0 Amps for 100-120/220-240 VAC

AAA Case
Weight: 2.3kg



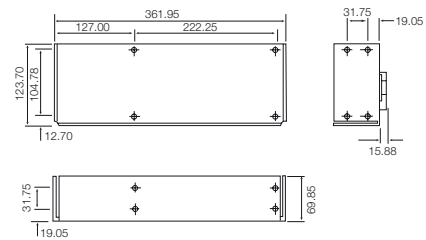
Mounting holes 4.77mm diameter
Fuse at: 1.0/0.5 Amps for 100-120/220-240 VAC

BBB Case
Weight: 3.6kg



Mounting holes 4.77mm diameter
Fuse at: 2.0/1.0 Amps for 100-120/220-240 VAC

DBB Case
Weight: 5.0kg

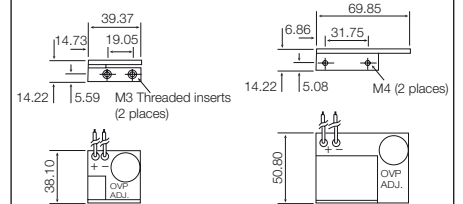


Mounting holes 4.77mm diameter
Fuse at: 3.0/1.5 Amps for 100-120/220-240 VAC

Overtoltage Protection Modules

OVP-12
32901A

OVP-24
32901B



Calex Electronics Limited

PO Box 2, Leighton Buzzard, Bedfordshire, England LU7 4AZ
Tel: +44 (0)1525 373178/853800 Fax: +44 (0)1525 851319 Lo-call Tel: 0845 3108053
E-mail: mail@calex.co.uk Online: <http://www.calex.co.uk>

Issue I - July 14
Specifications subject to change without notice